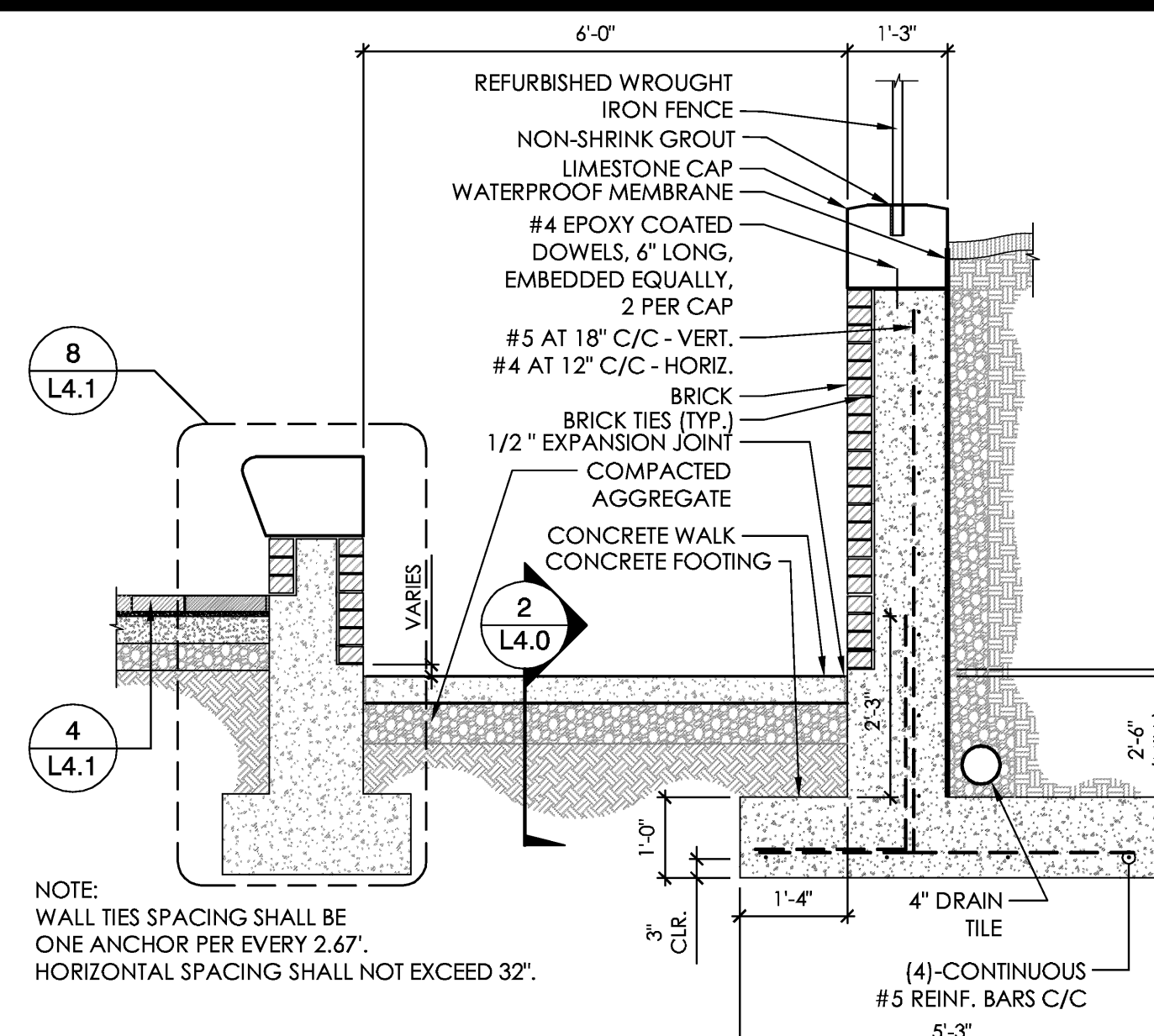
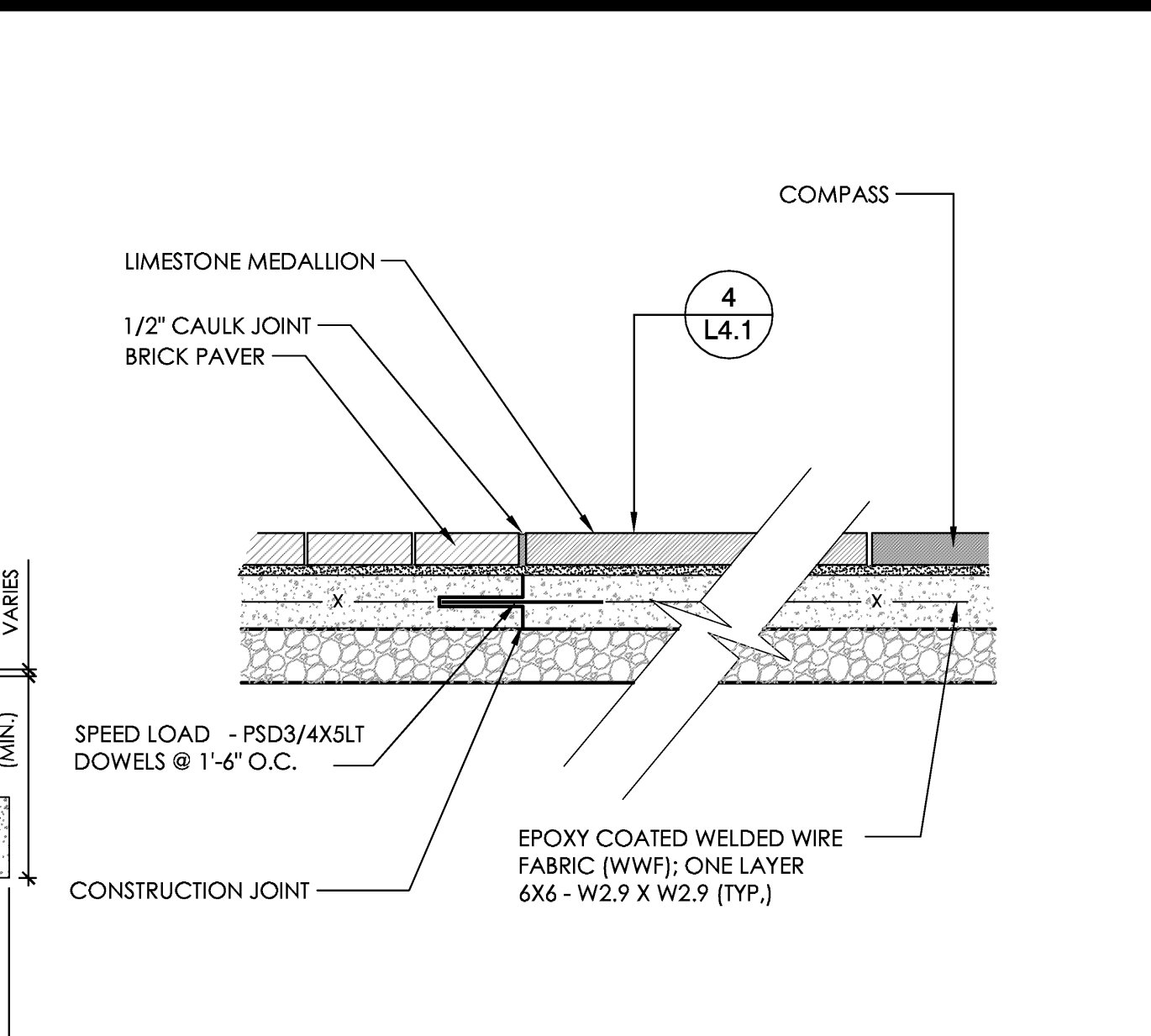


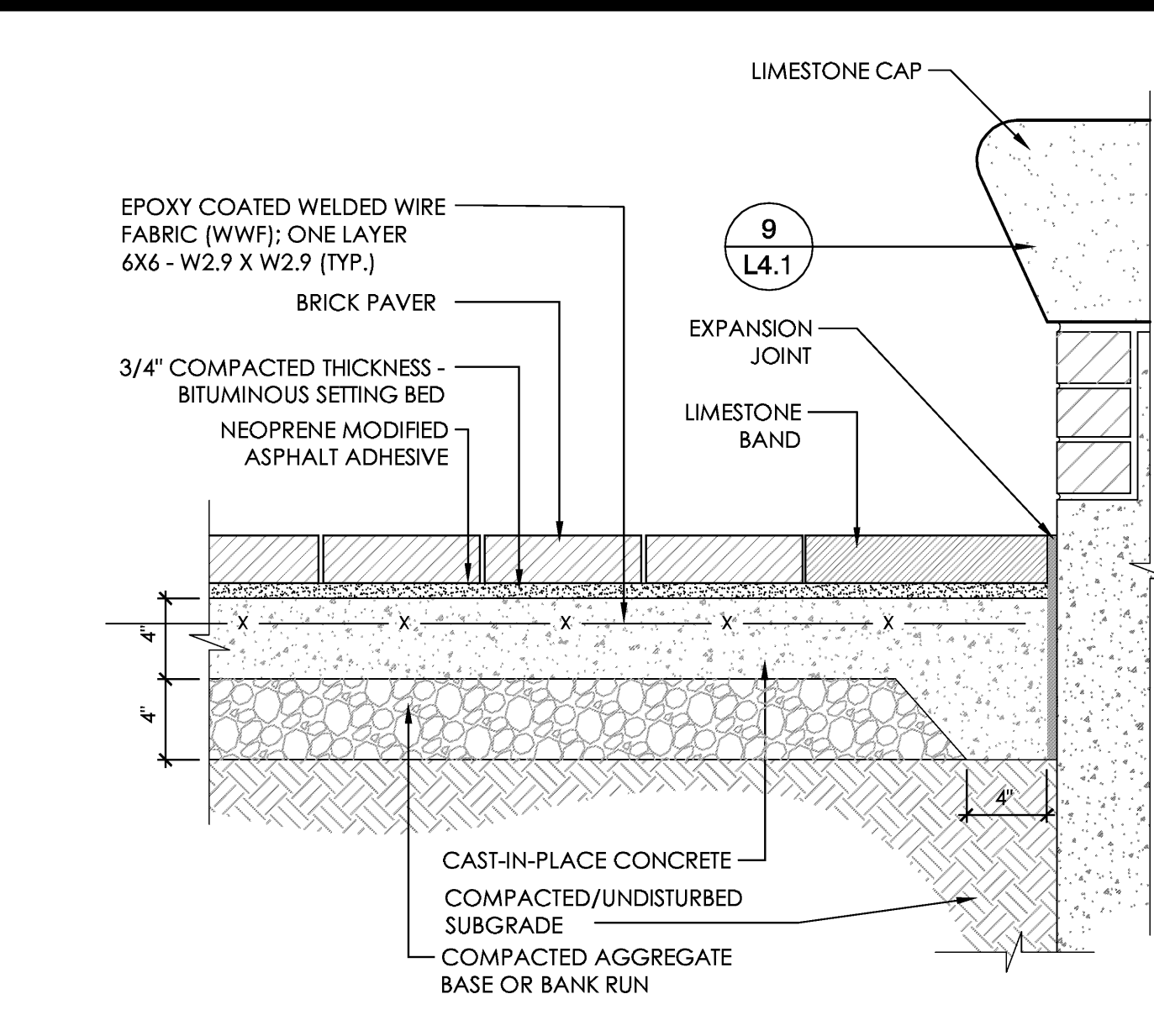
**1 EAST SIDE WALK - PLAZA TO GREEN**  
1/2" = 1'-0"



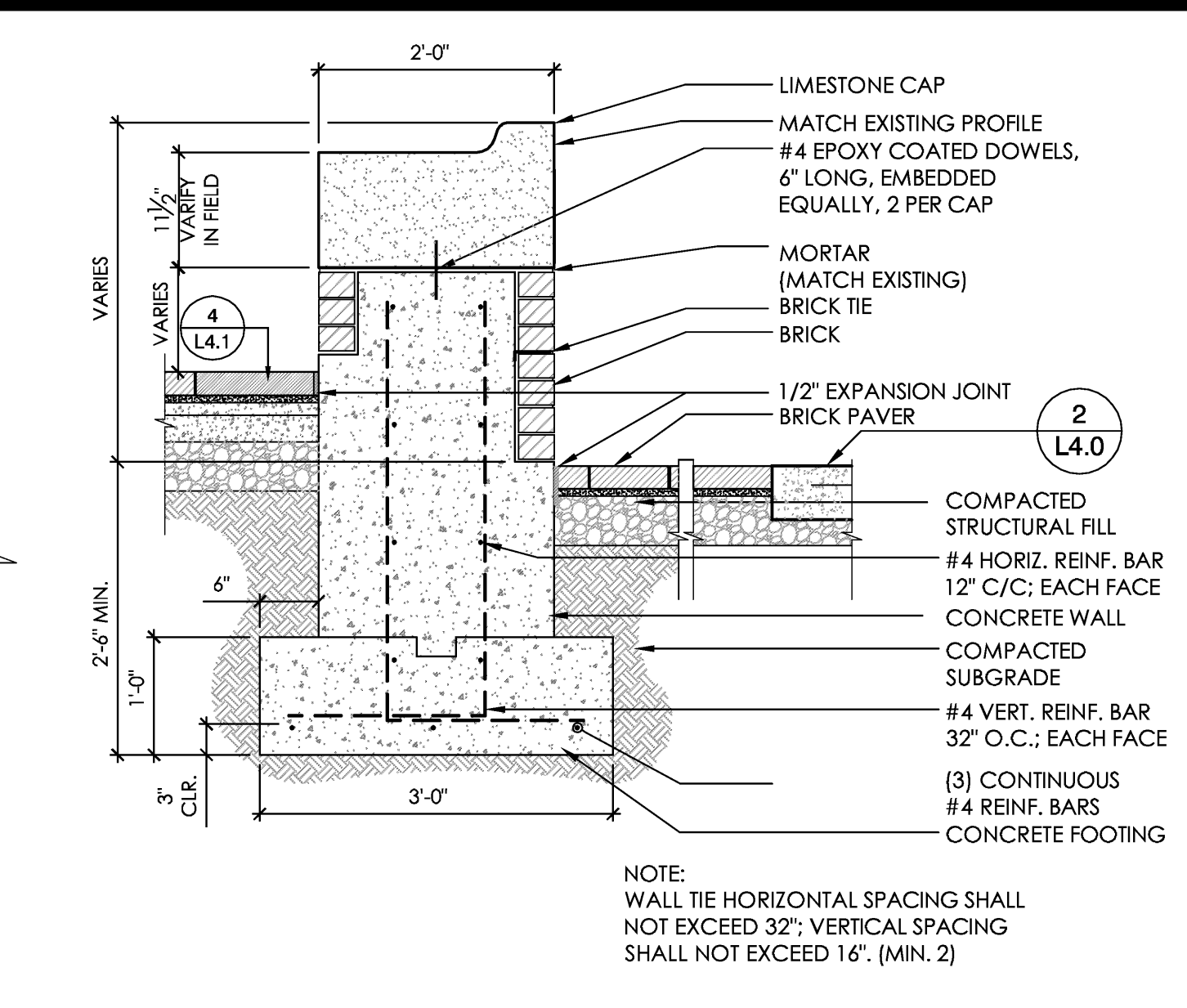
**2 WEST SIDE WALK - UNION STREET TO PLAZA**  
1/2" = 1'-0"



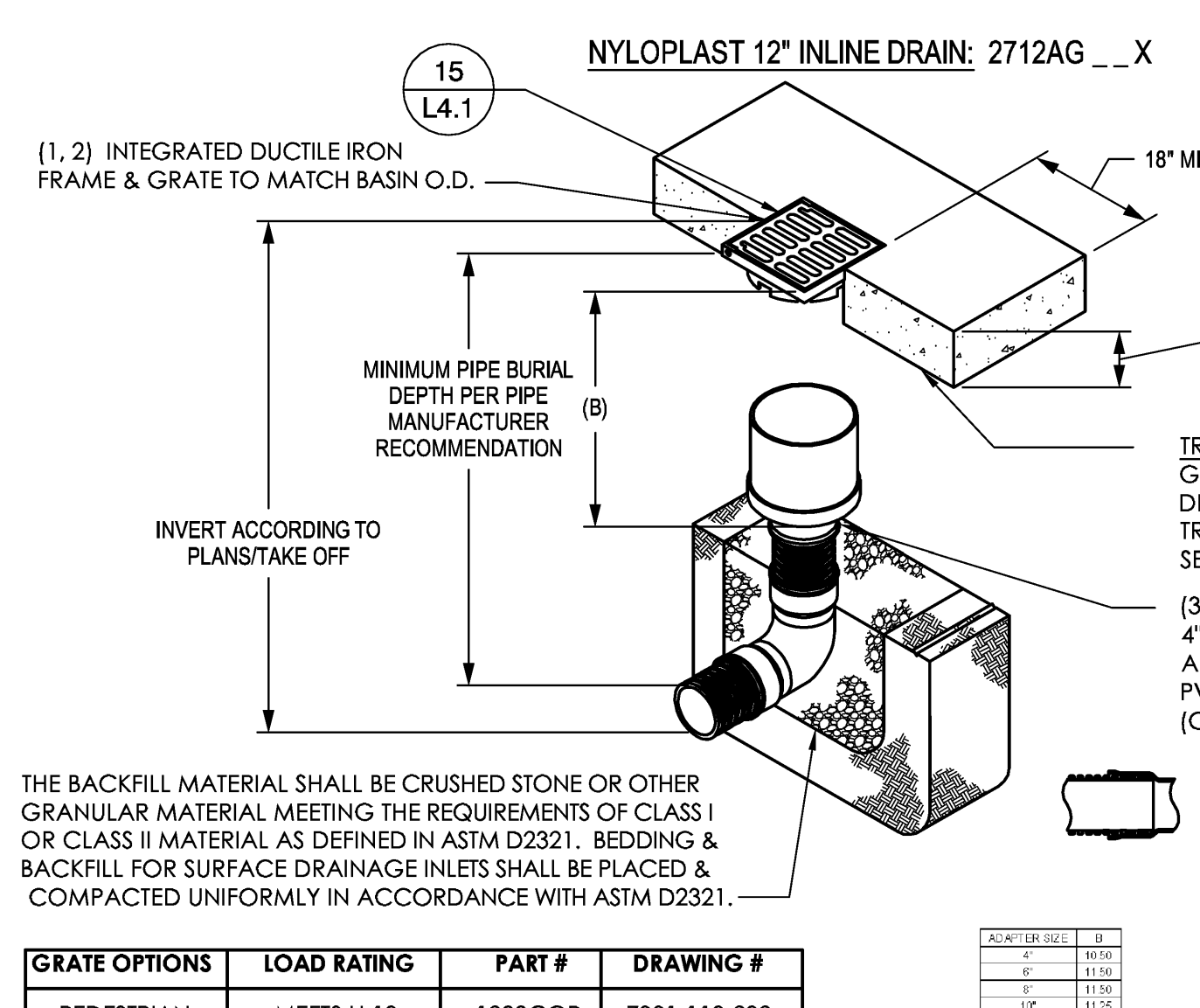
**3 CONSTRUCTION JOINT UNDER BRICK PAVERS**  
1" = 1'-0"



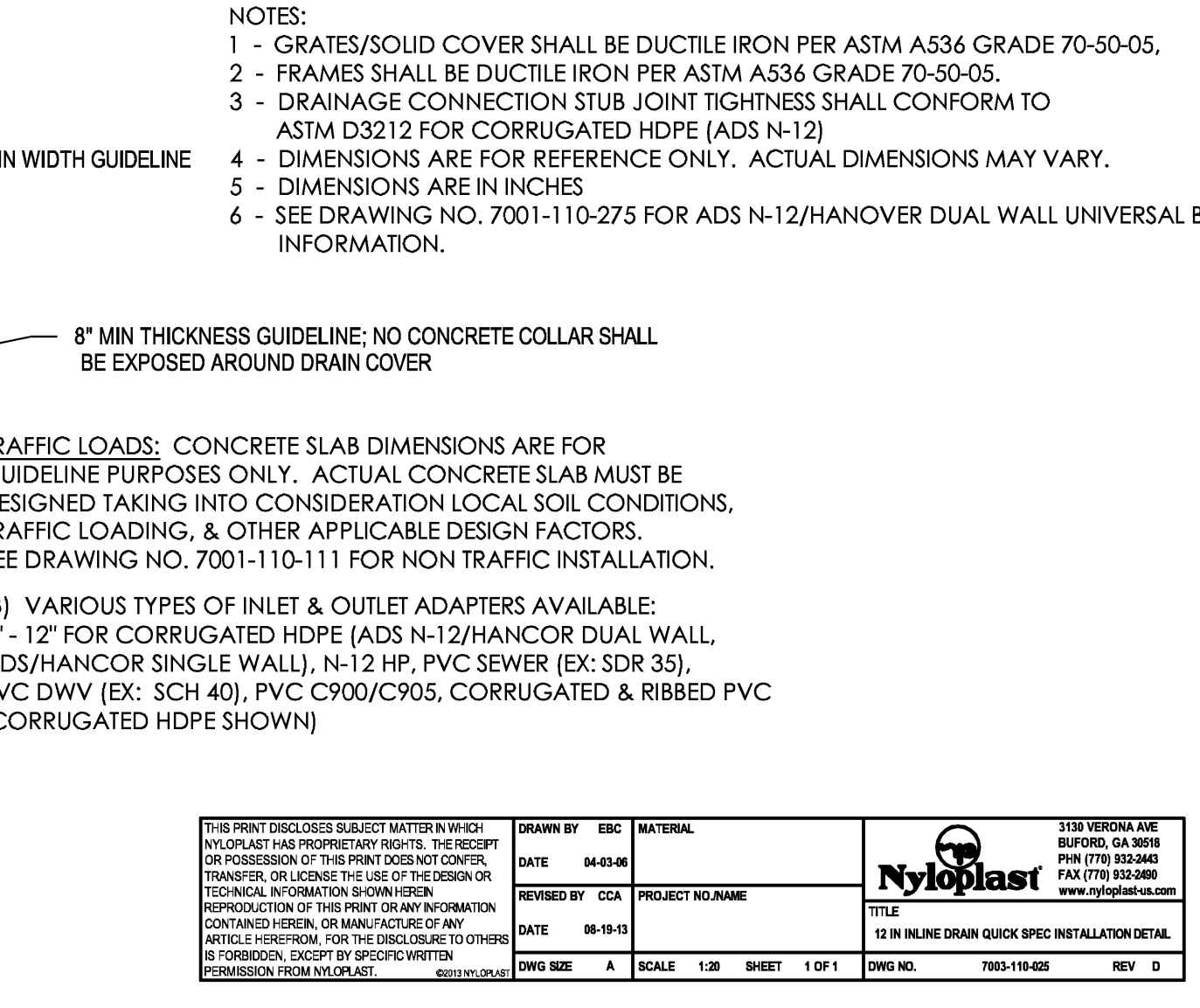
**4 PLAZA PAVING**  
1/2" = 1'-0"



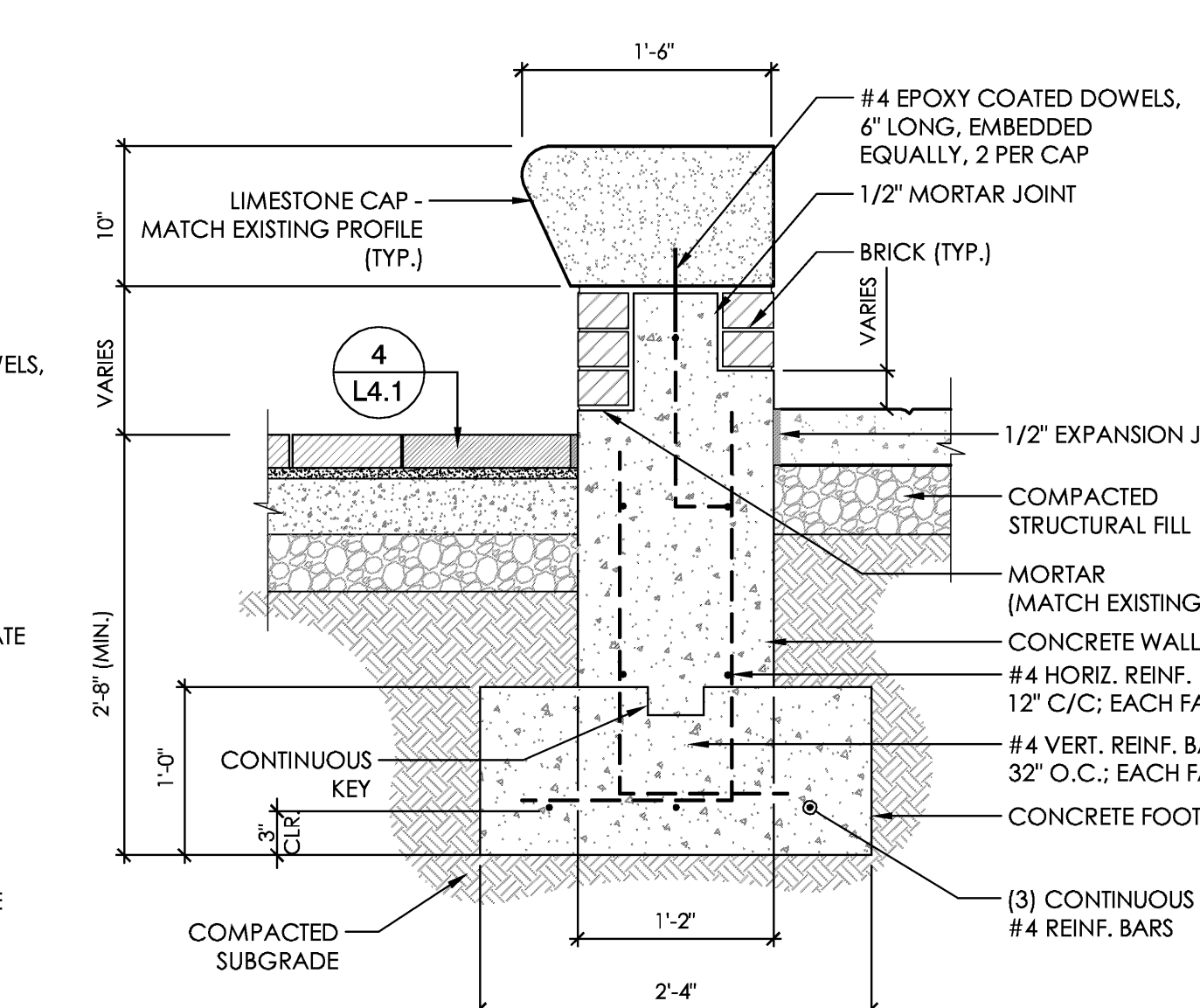
**5 SEAT WALL - BETWEEN PLAZA AND STREET**  
3/4" = 1'-0"



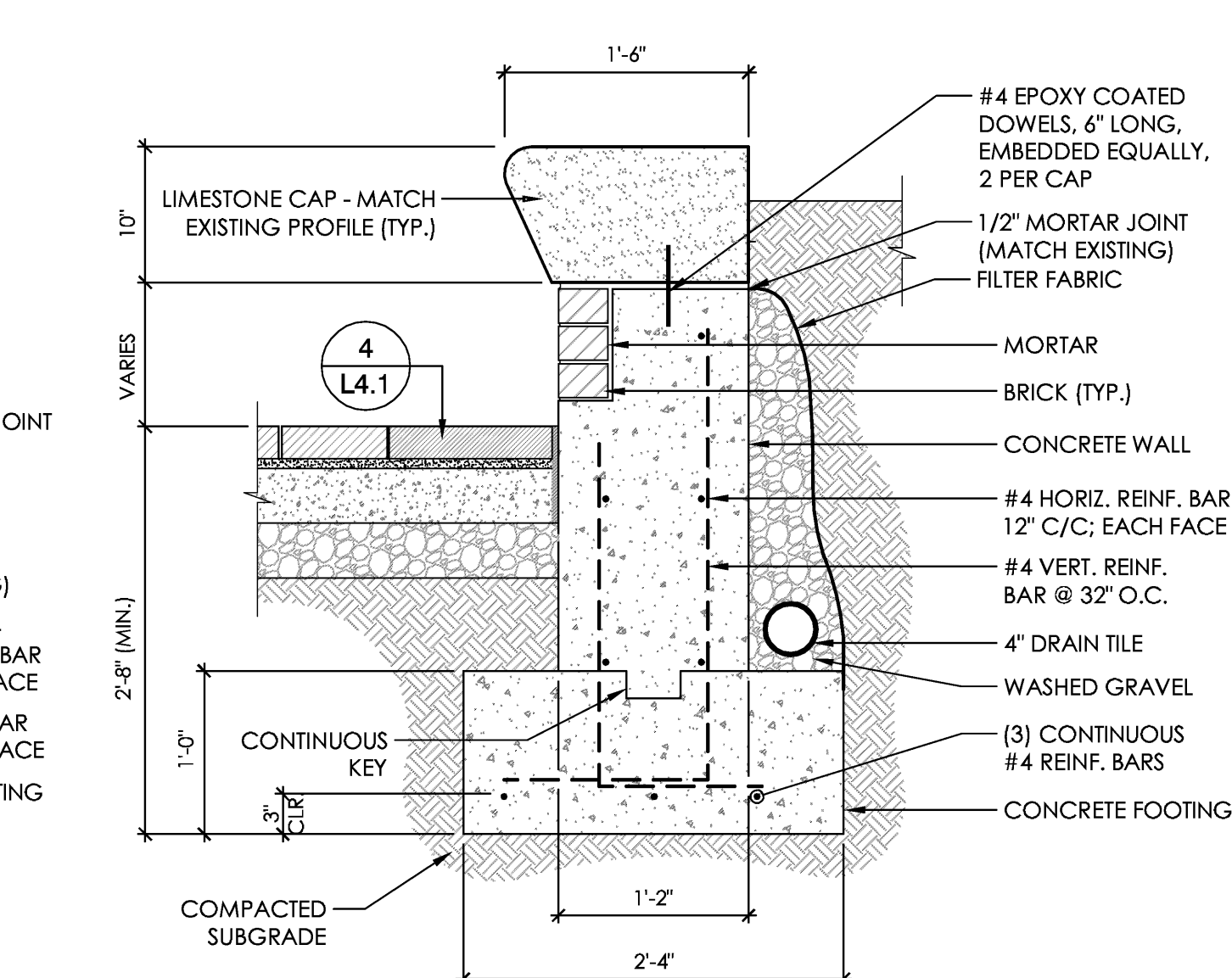
**6 12" INLINE DRAIN**  
1/2" = 1'-0"



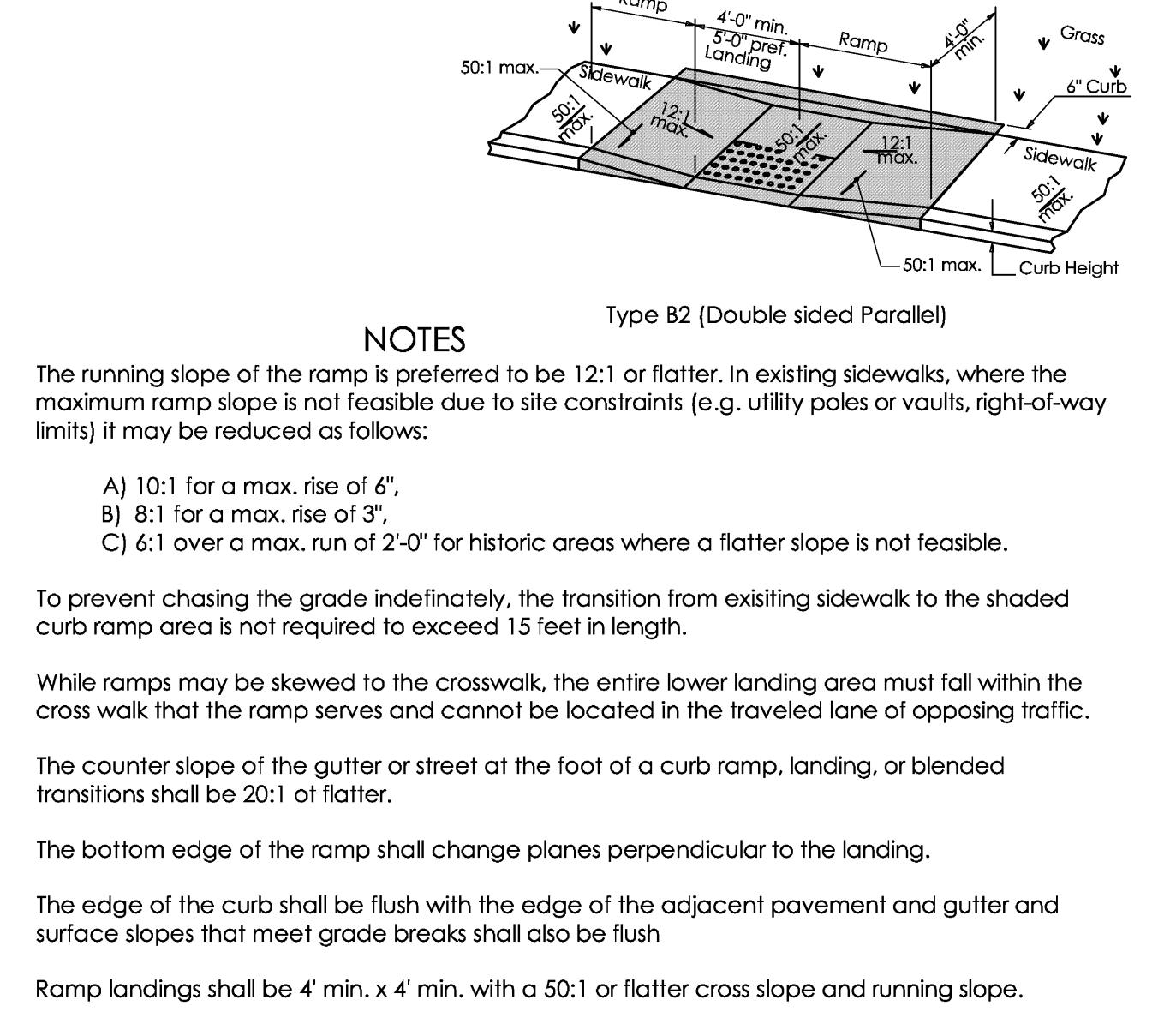
**7 SEAT WALL - EAST WALL**  
1" = 1'-0"



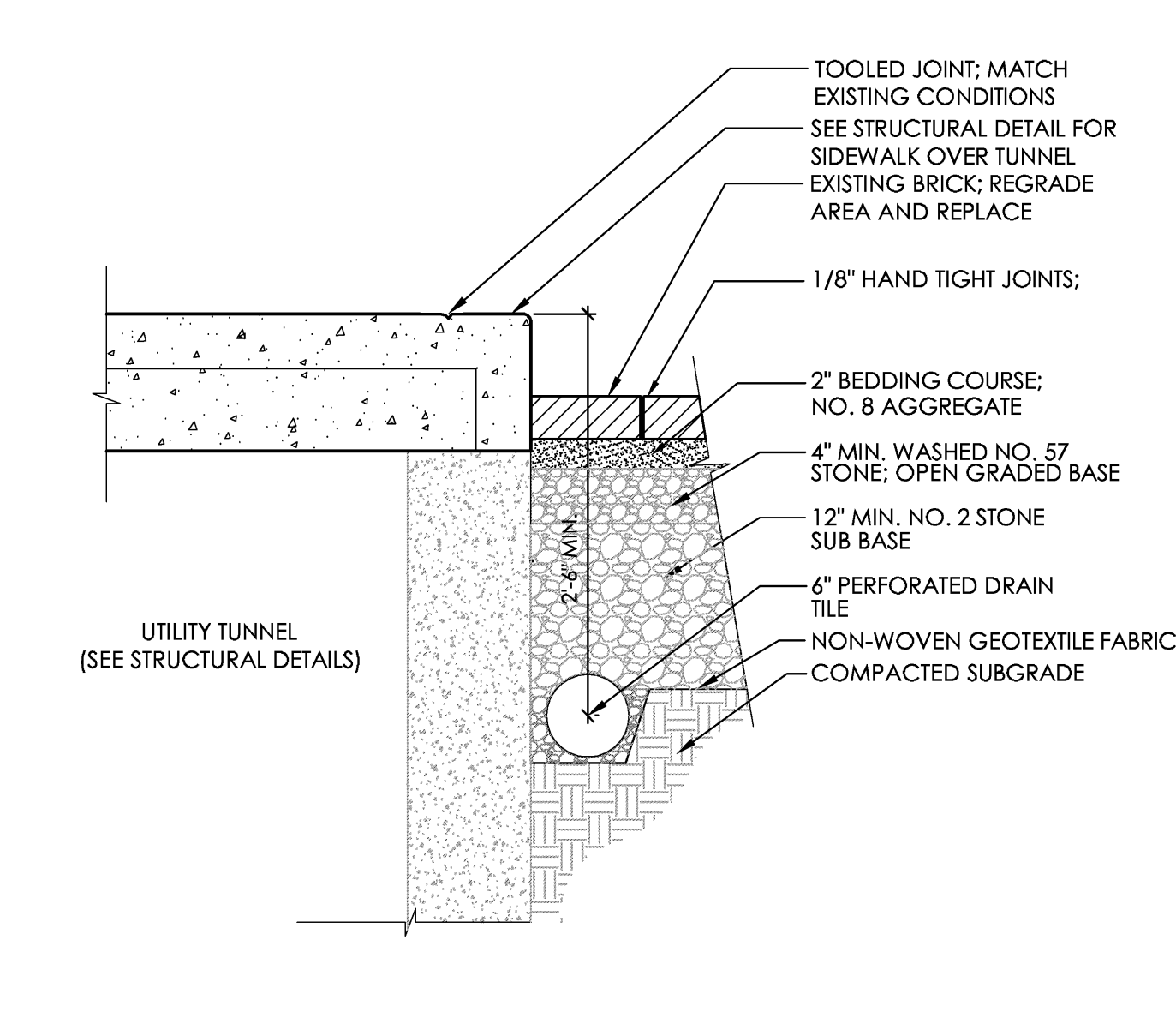
**8 SEAT WALL - WEST WALL**  
1" = 1'-0"



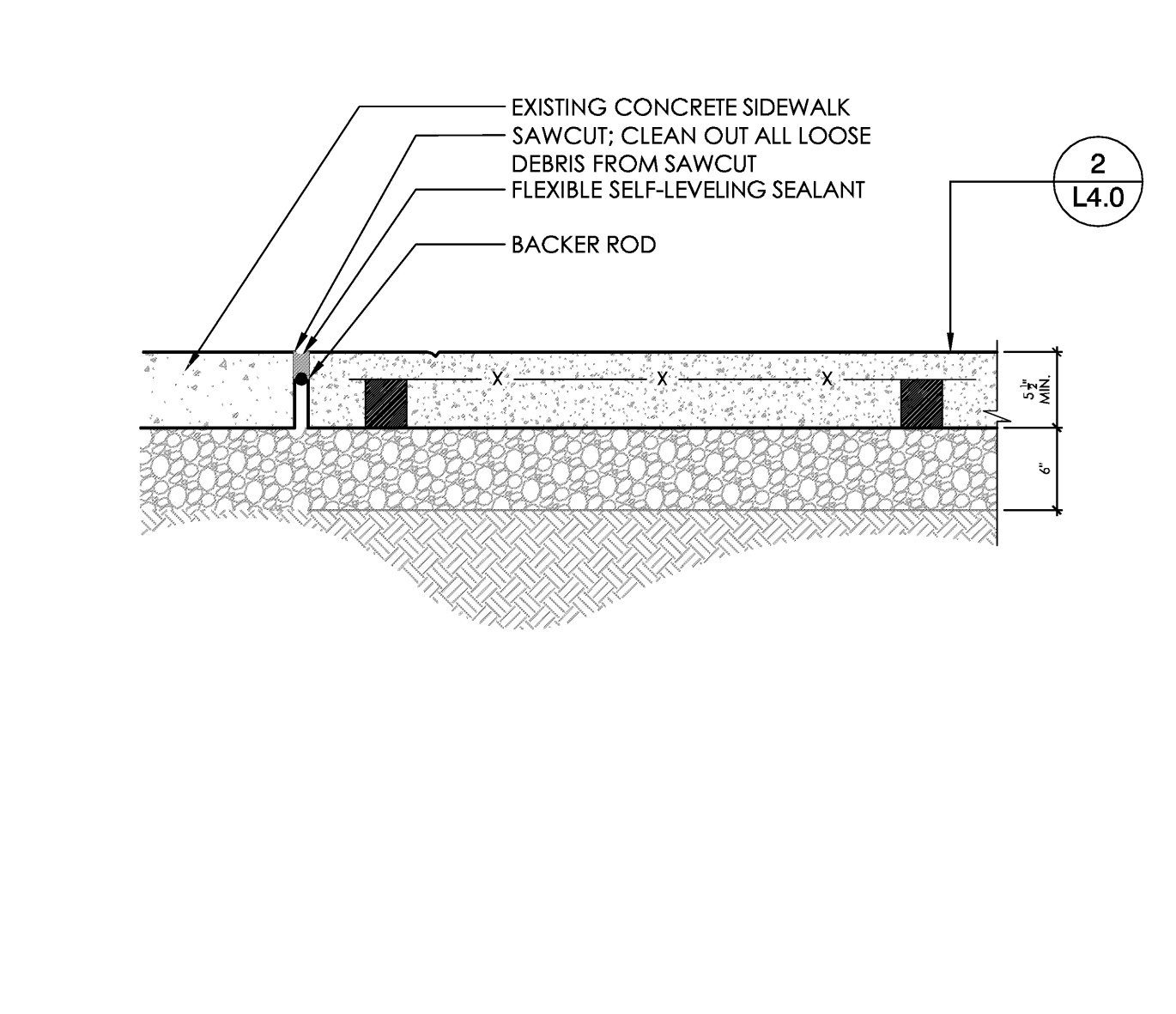
**9 SEAT WALL - PLANTING BED**  
1" = 1'-0"



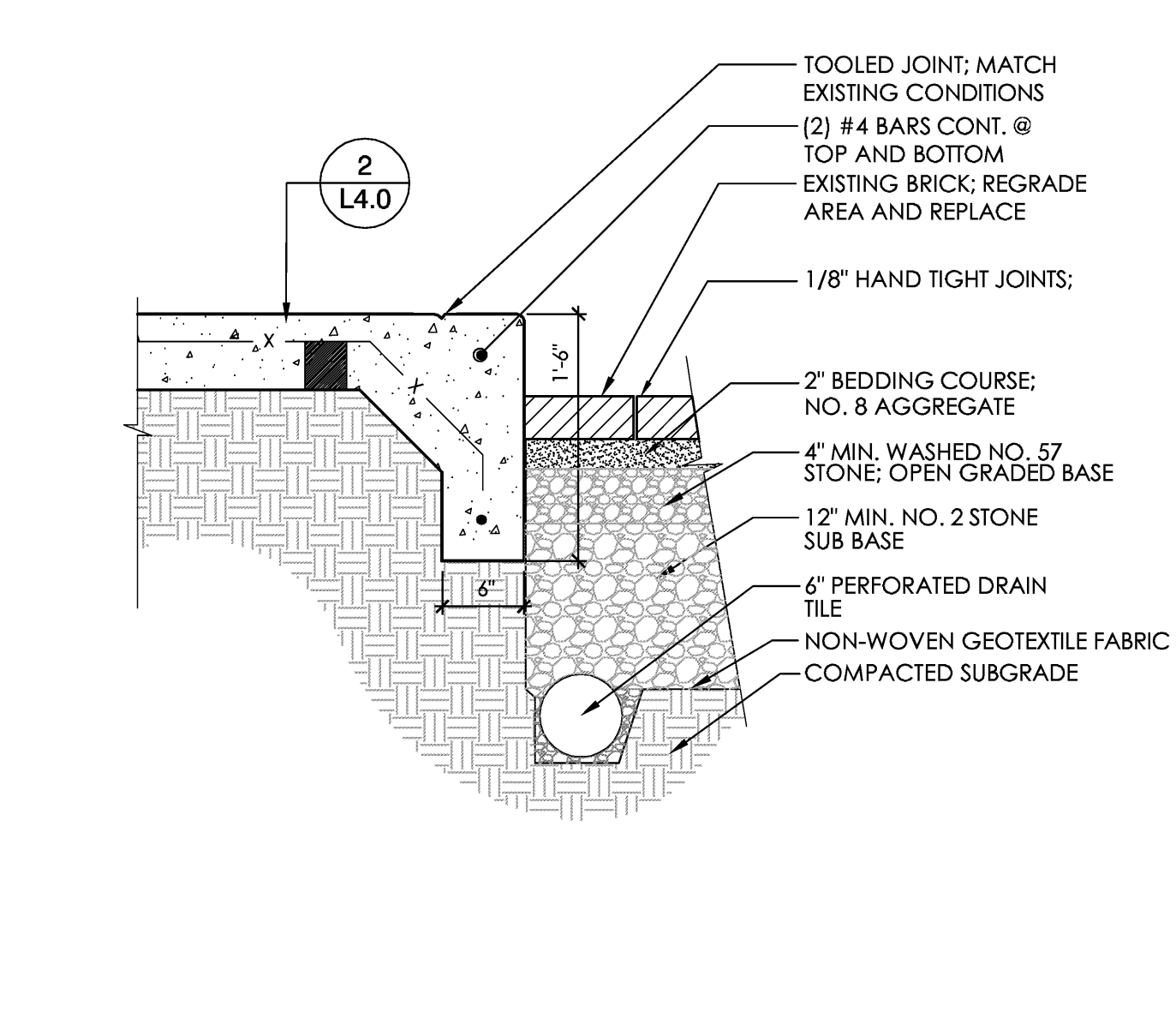
**10 PARALLEL CURB RAMP**  
3/4" = 1'-0"



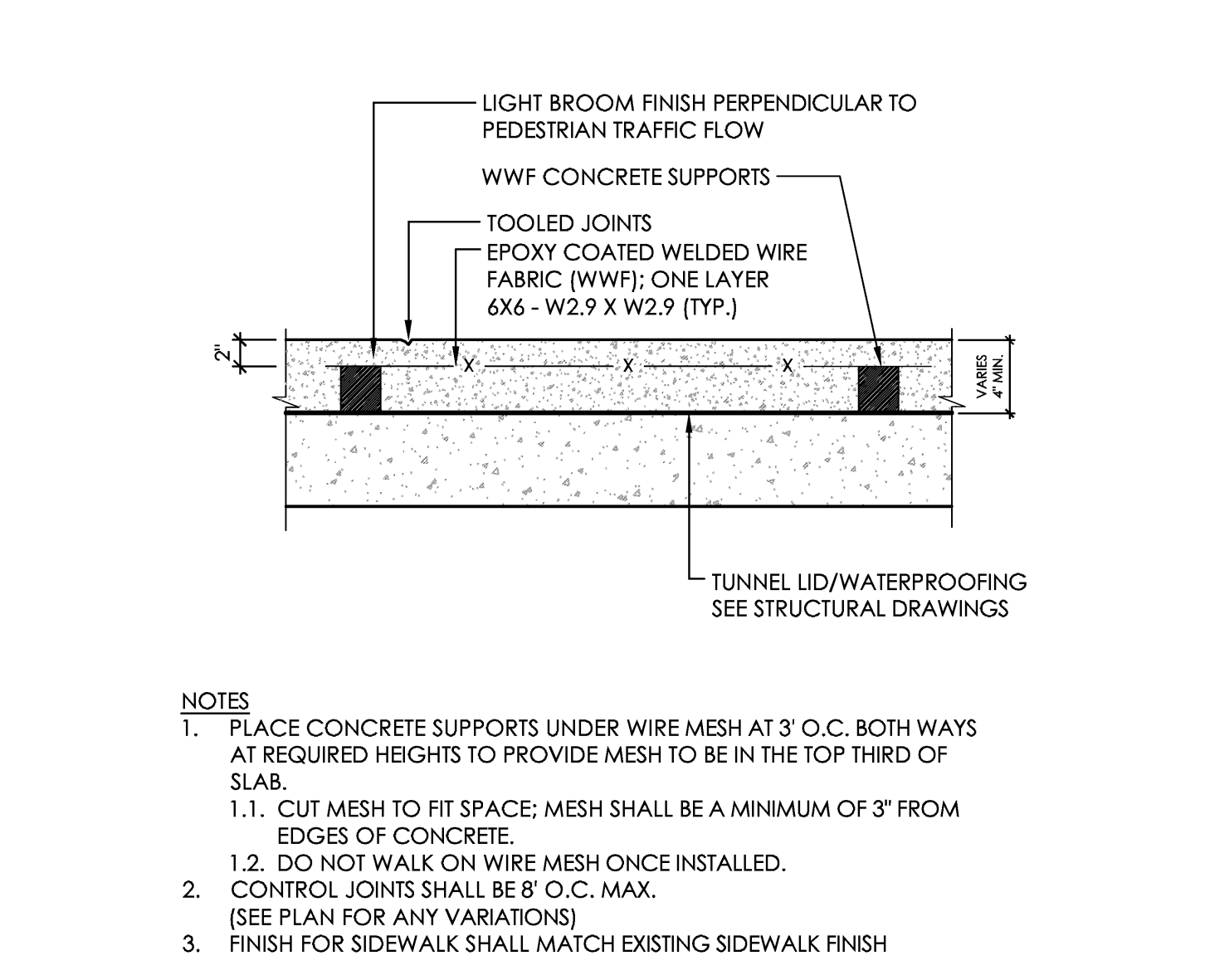
**11 PAVEMENT UNDERDRAIN - WITH TUNNEL**  
1" = 1'-0"



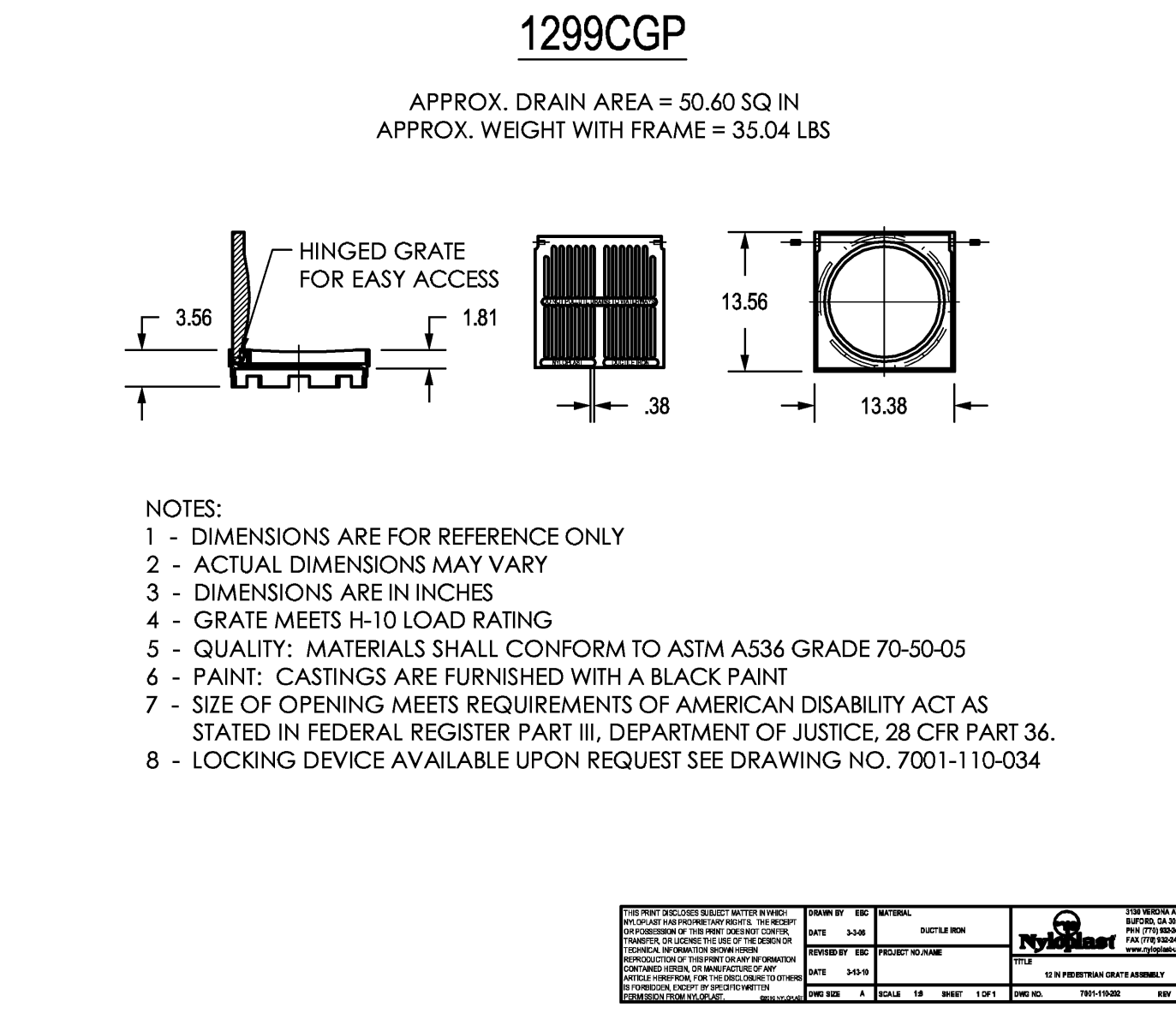
**12 EXISTING AND PROPOSED CONCRETE SIDEWALK**  
1" = 1'-0"



**13 CURB & PAVEMENT UNDERDRAIN**  
1" = 1'-0"



**14 CONCRETE SIDEWALK OVER TUNNEL**  
1" = 1'-0"



**15 DRAIN GRATE**  
3/4" = 1'-0"



**msp**  
McGill Smith Punshon, Inc.  
3700 Park 42 Drive Suite 190B  
Cincinnati, Ohio 45241-2097  
Tel. 513-759-0004 • Fax 513-563-7099  
Engineers • Architects • Surveyors  
Planners • Landscape Architects

Drawn By CFB Project Mgr. DJF  
CAD File 13412006-DET-00-CLASS GATE 41  
X-Ref File 13412006-TLB-01-CLASS GATE

Issue/Revision	Revision Number	Date
BID SET		11/16/15

© COPYRIGHT 2015, MCGILL SMITH PUNSHON, INC.

**COLLEGE GREEN UPGRADE**  
**CLASS GATE AND TUNNEL**  
**OHIO UNIVERSITY**  
 ATHENS, OHIO 45701  
 ATHENS COUNTY, OHIO

Sheet Title  
**SITE DETAILS**

Project No. 13412.00  
Scale AS NOTED  
Sheet No. L4.1  
File No. 13-412