

ADDENDUM 3

September 11, 2013

Corna Kokosing Elford
6235 Westerville Road
Westerville, OH 43081

INDEX OF CONTENTS

Corna Kokosing Elford Addendum 3
S5-2Rev1

TO: ALL BIDDERS OF RECORD

ADDENDUM 3 to the Drawings, Specifications, and Bid Package Project Manual, dated **September 11, 2013** for the **Bid Package 05** of the **Ohio University Housing Development Plan – Phase 1**.

This Addendum shall hereby be and become a part of the Contract Documents the same as if originally issued and bound thereto.

The following clarifications, amendments, additions, revisions, changes, and modifications change the original Contract Documents only in the amount and to the extent specified in this Addendum.

Each bidder shall acknowledge receipt of this Addendum on their bid form.

Bidders are responsible for becoming familiar with every item of this Addendum.

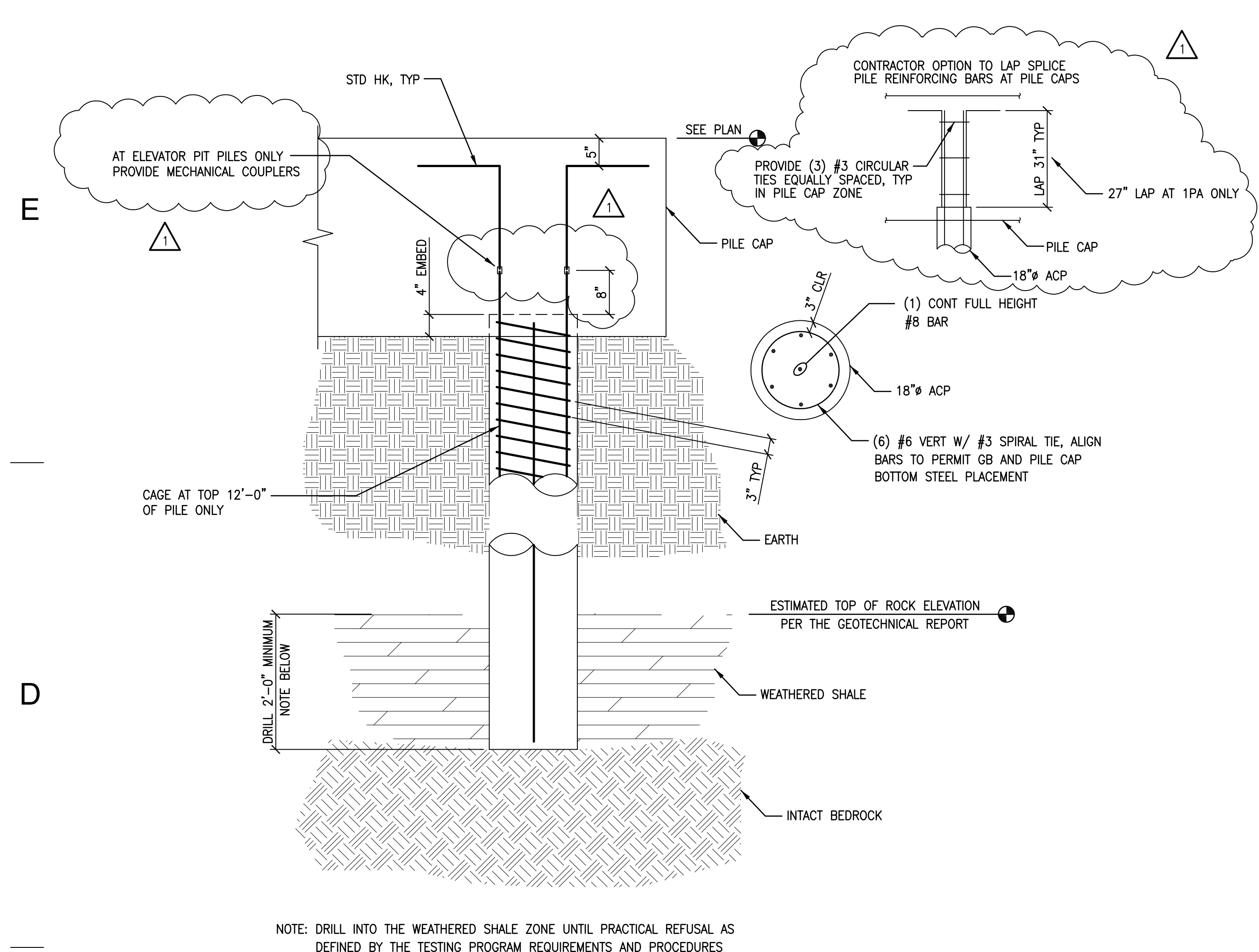
-
1. Revise Section 01 10 10 “CM Summary of Work.” For contract 004, Auger Cast Pile, add line item 38:

“In lieu of a hook, this Subcontractor shall provide a 31” straight #6 rebar minimum extending from top of pile cap to top of bar and 5” below top of Pile Cap, and exclude rebar hook at all pile caps with the exception of pile caps located at the elevator pits. At elevator pits, Subcontractor has option of providing hooks or Zap-Lock rebar coupler, or approved equal, and install rebar hook in coordination with installation grade beams.”

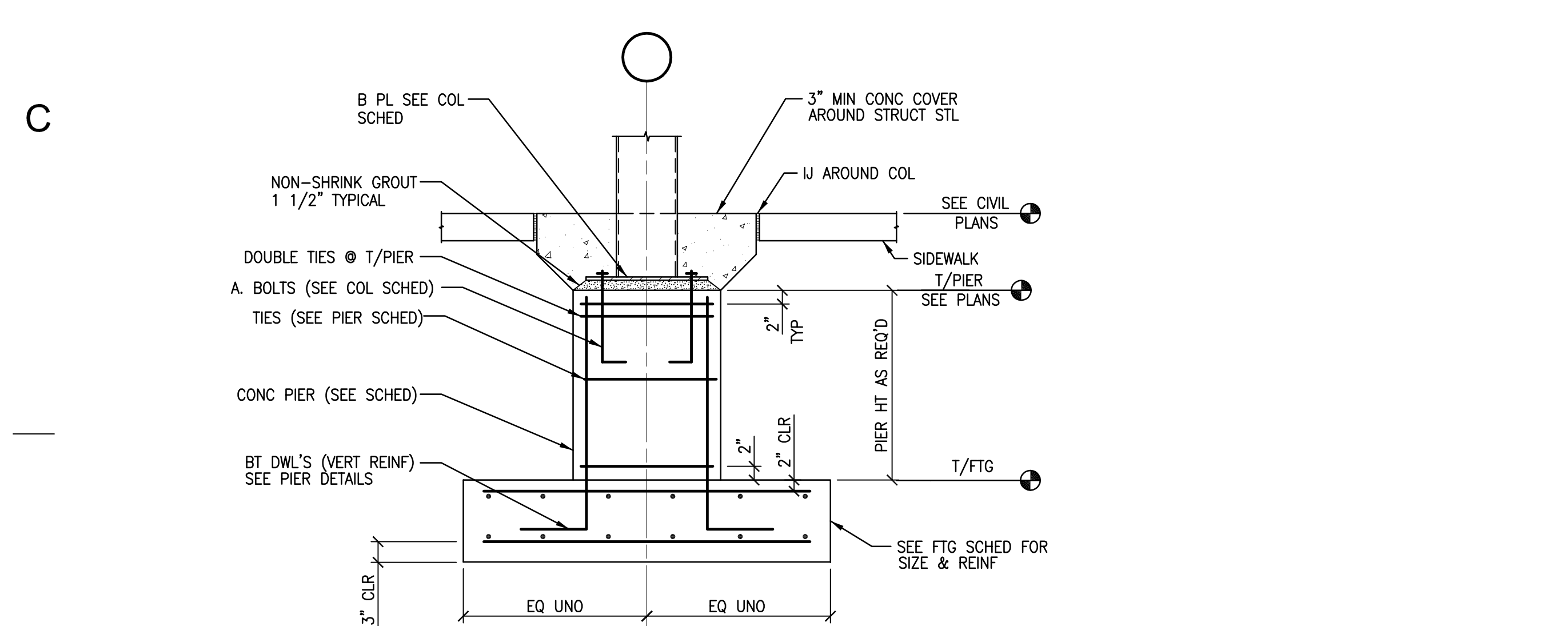
2. Revise Section 01 10 10 “CM Summary of Work.” For contract 006, Grade Beams & Pile Caps, add line item 38:

“This Subcontractor shall provide #6 Rebar Hooks with 31” minimum lap splice at all Auger Cast Piles with the exception of the auger cast piles located beneath elevator pile caps. This work will be performed by others.”

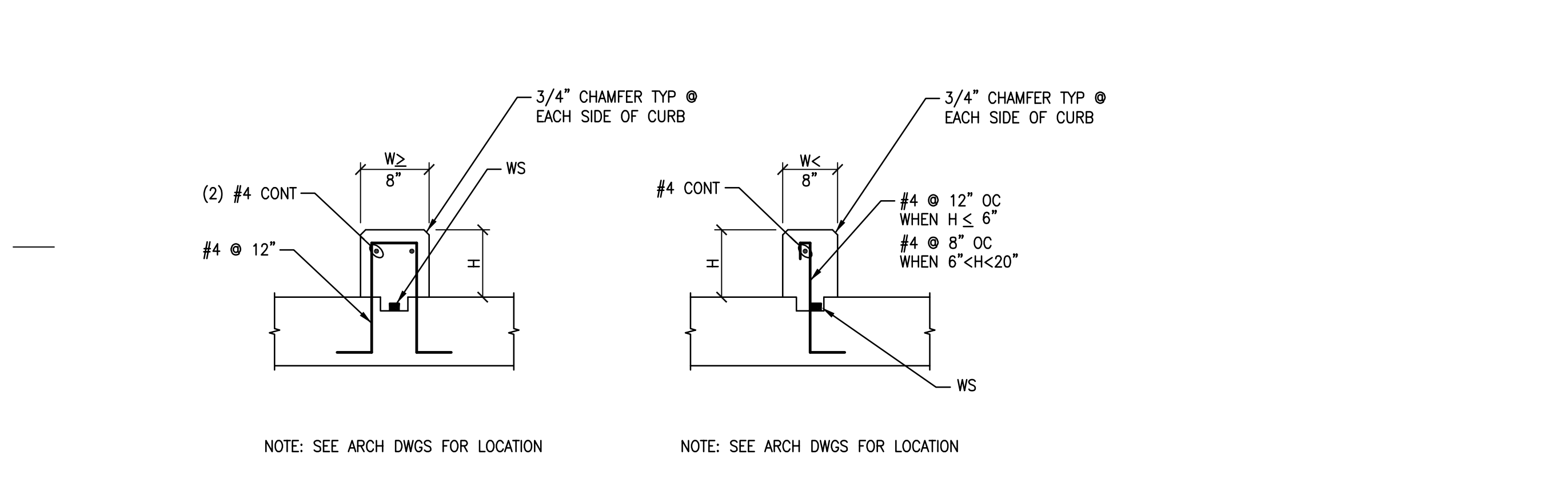
END OF ADDENDUM



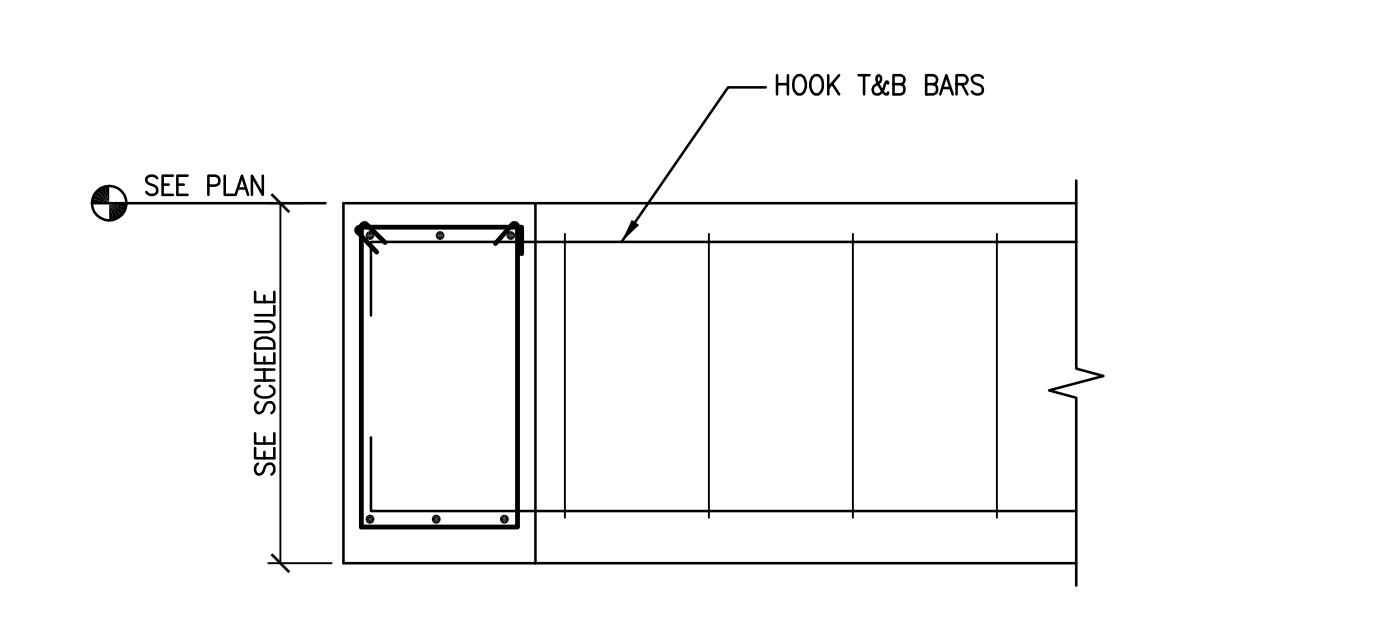
1 TYPICAL AUGER CAST IN PLACE PILE DETAIL
SCALE: NTS



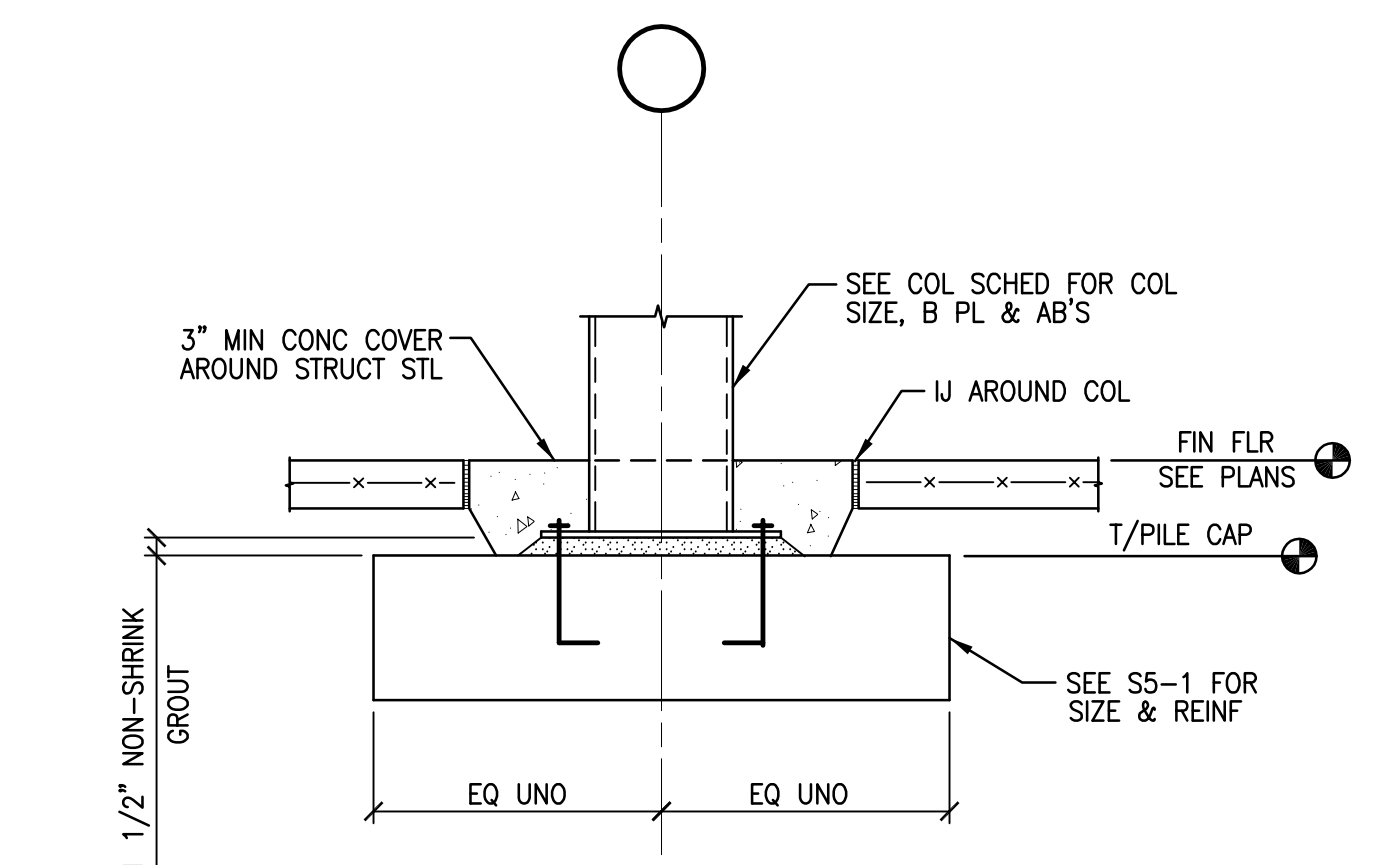
5 TYPICAL COLUMN WITH PIER AND FOOTING DETAIL
SCALE: NTS



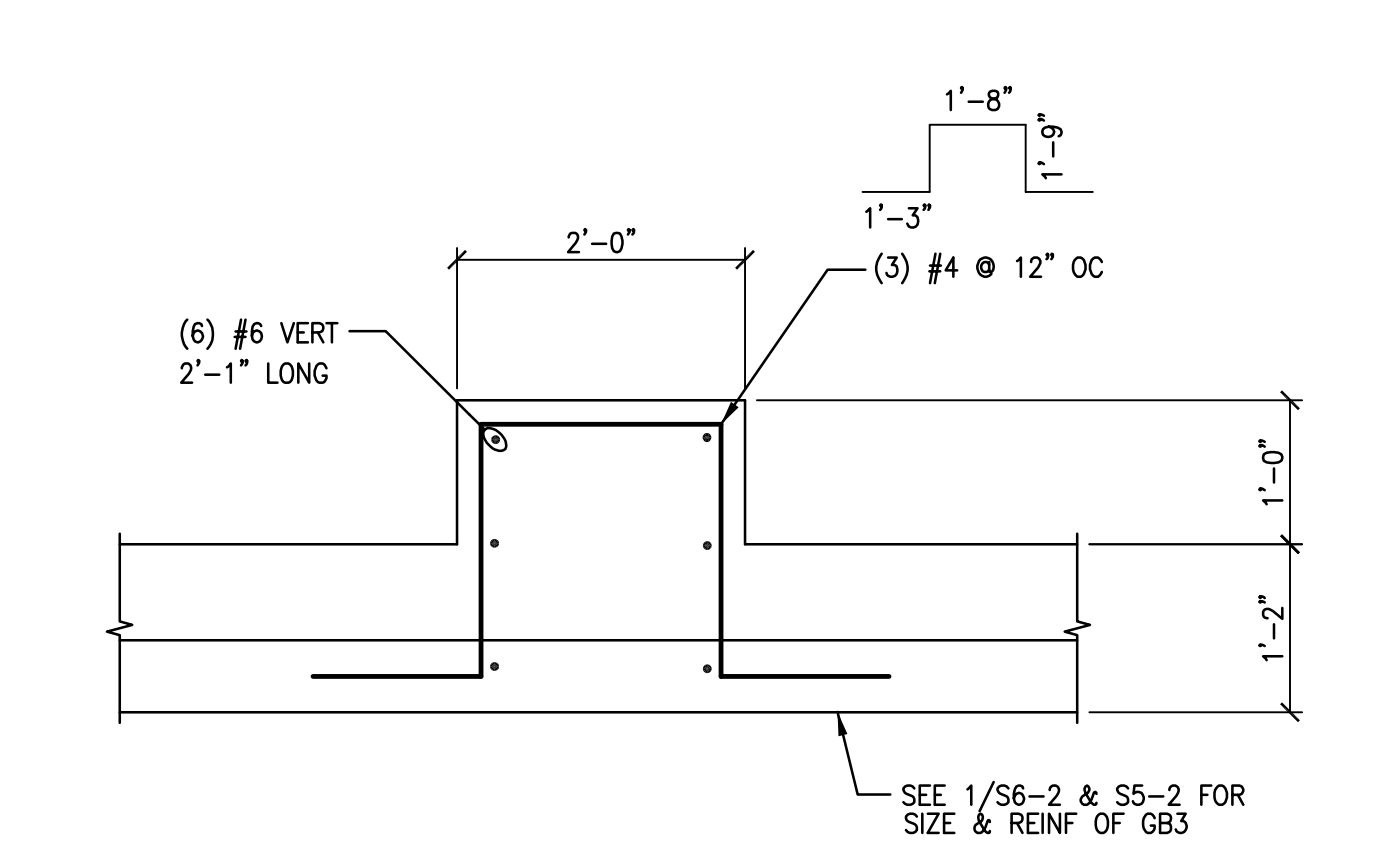
7 TYPICAL CURB DETAILS
SCALE: NTS



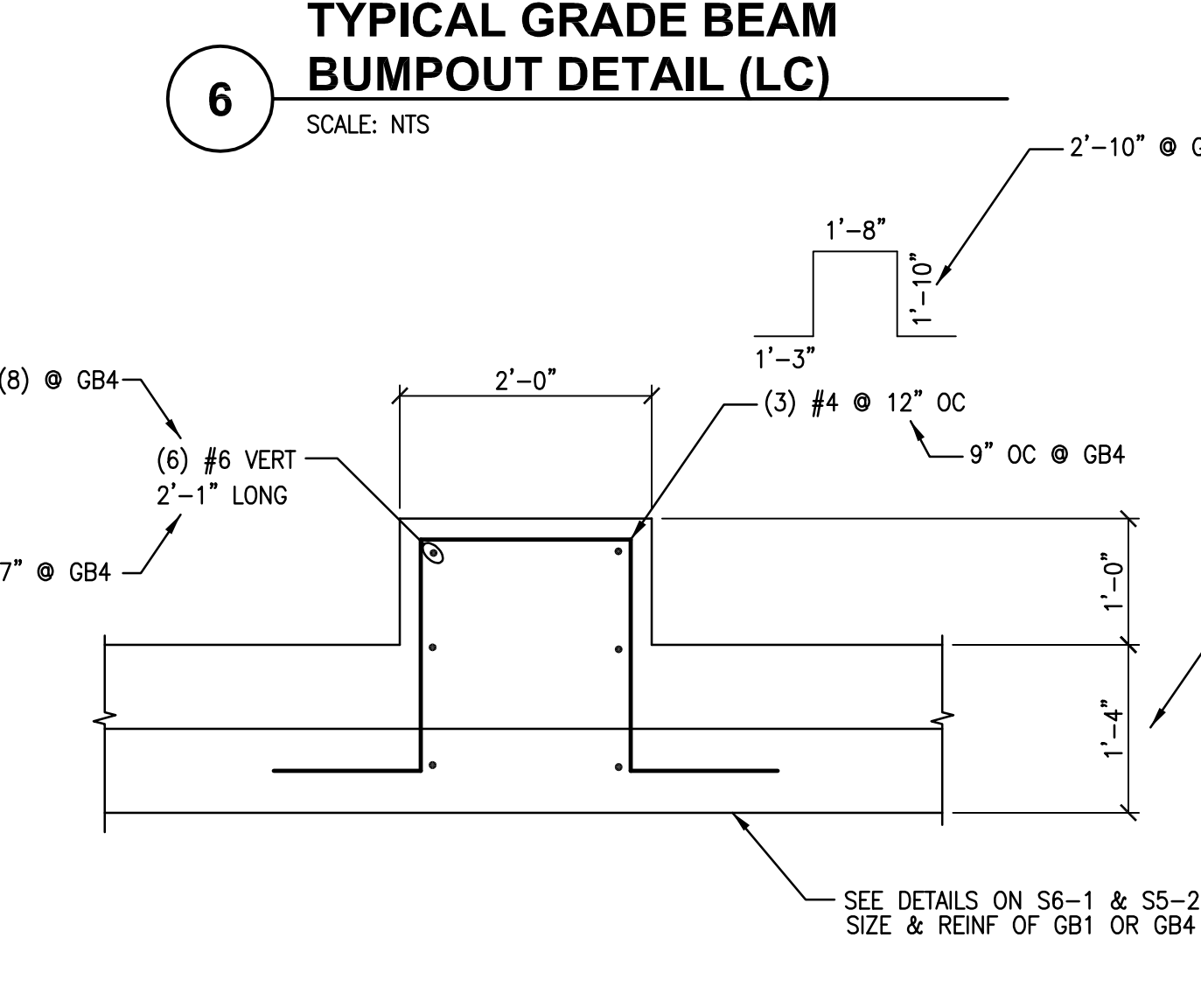
2 TYPICAL GRADE BEAM FRAMING INTO GRADE BEAM DETAIL
SCALE: NTS



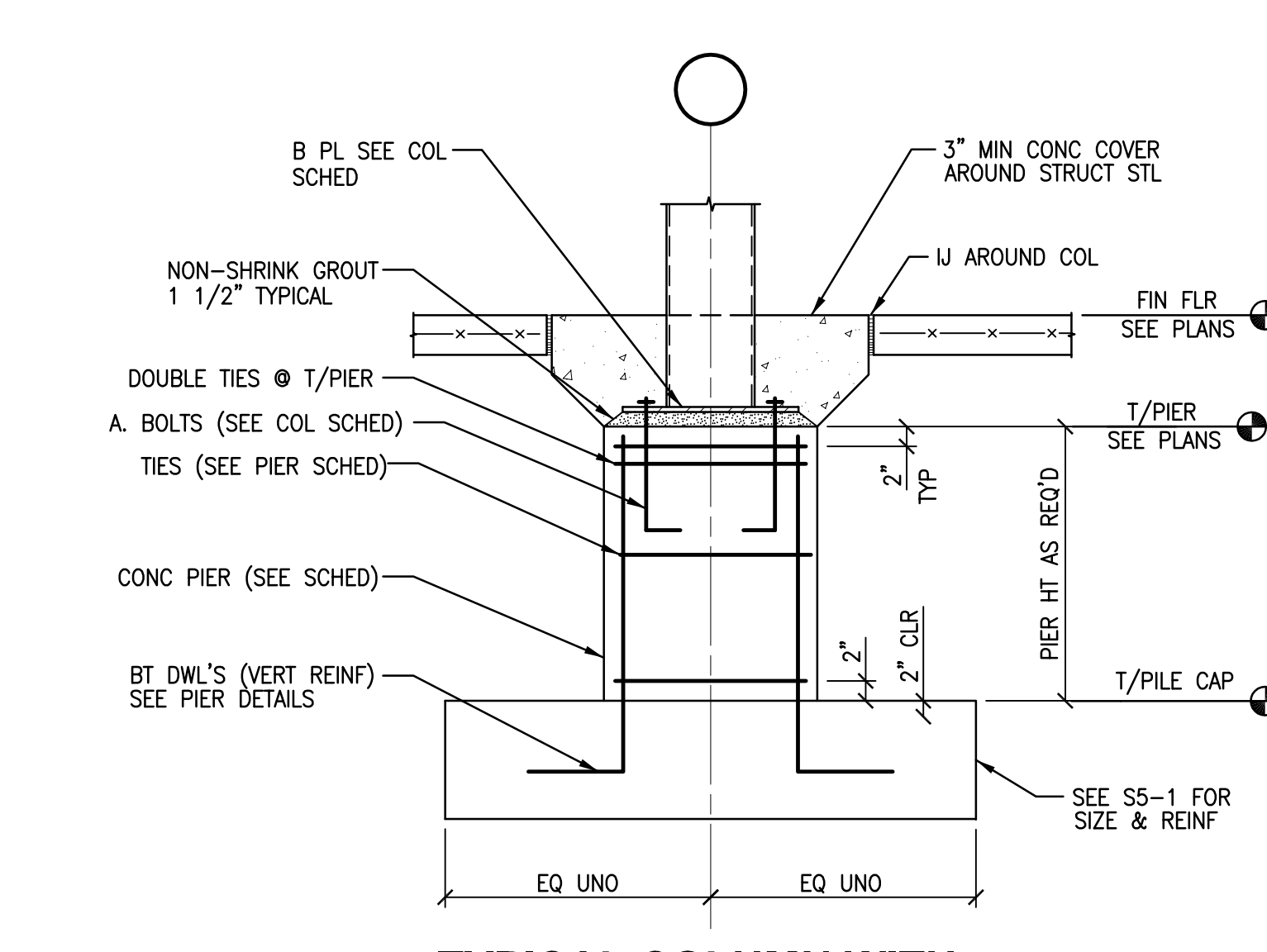
4 TYPICAL COLUMN/PILE CAP DETAIL
SCALE: NTS



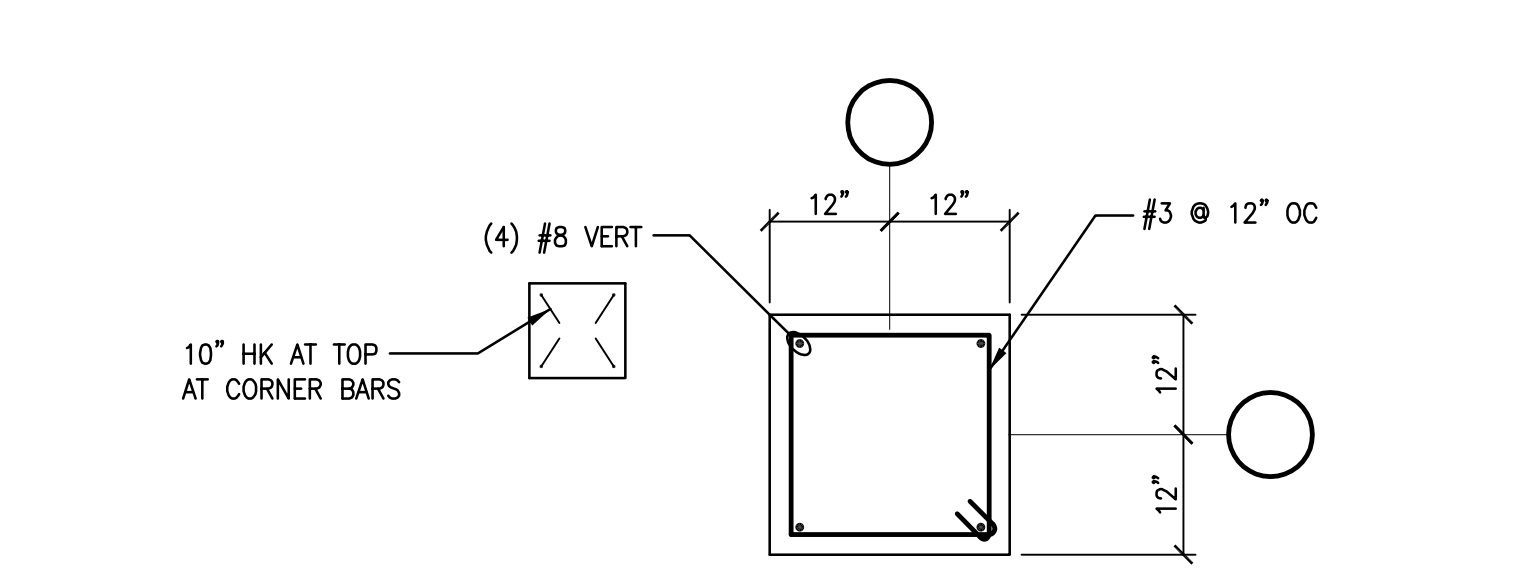
6 TYPICAL GRADE BEAM BUMPOUT DETAIL (LC)
SCALE: NTS



8 TYPICAL GRADE BEAM BUMPOUT DETAIL (HOUSING)
SCALE: NTS

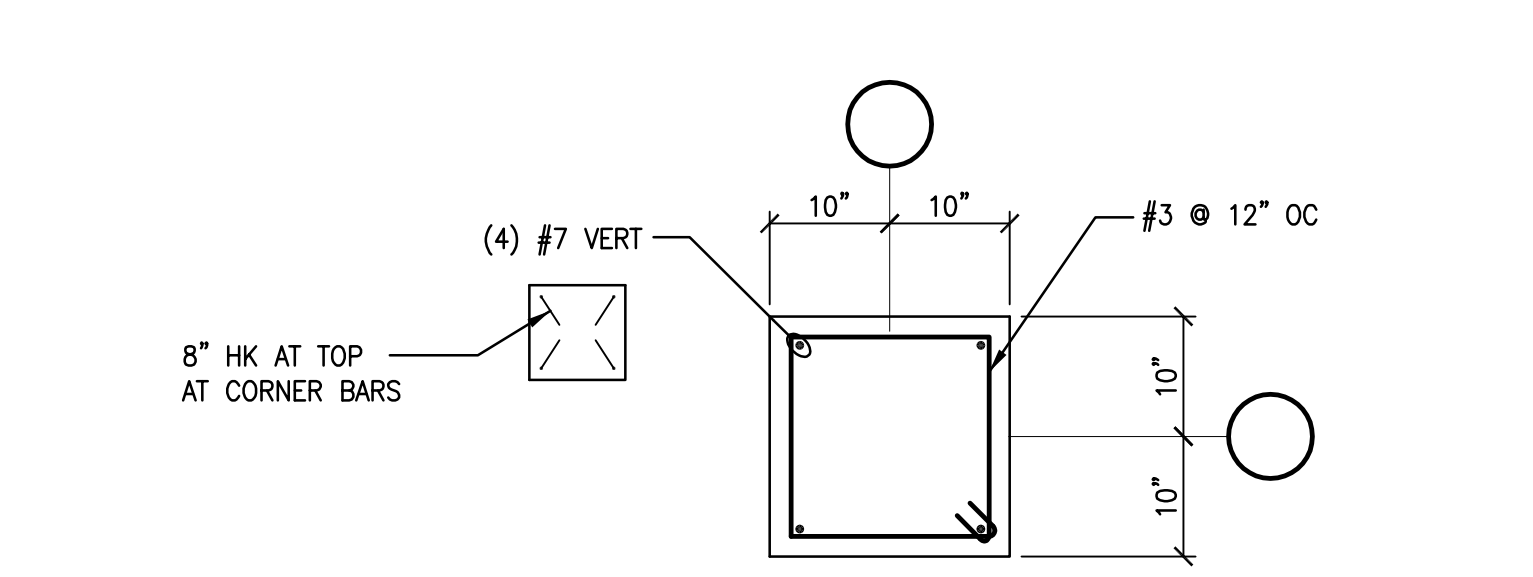


3 TYPICAL COLUMN WITH PIER AND PILE CAP DETAIL
SCALE: NTS



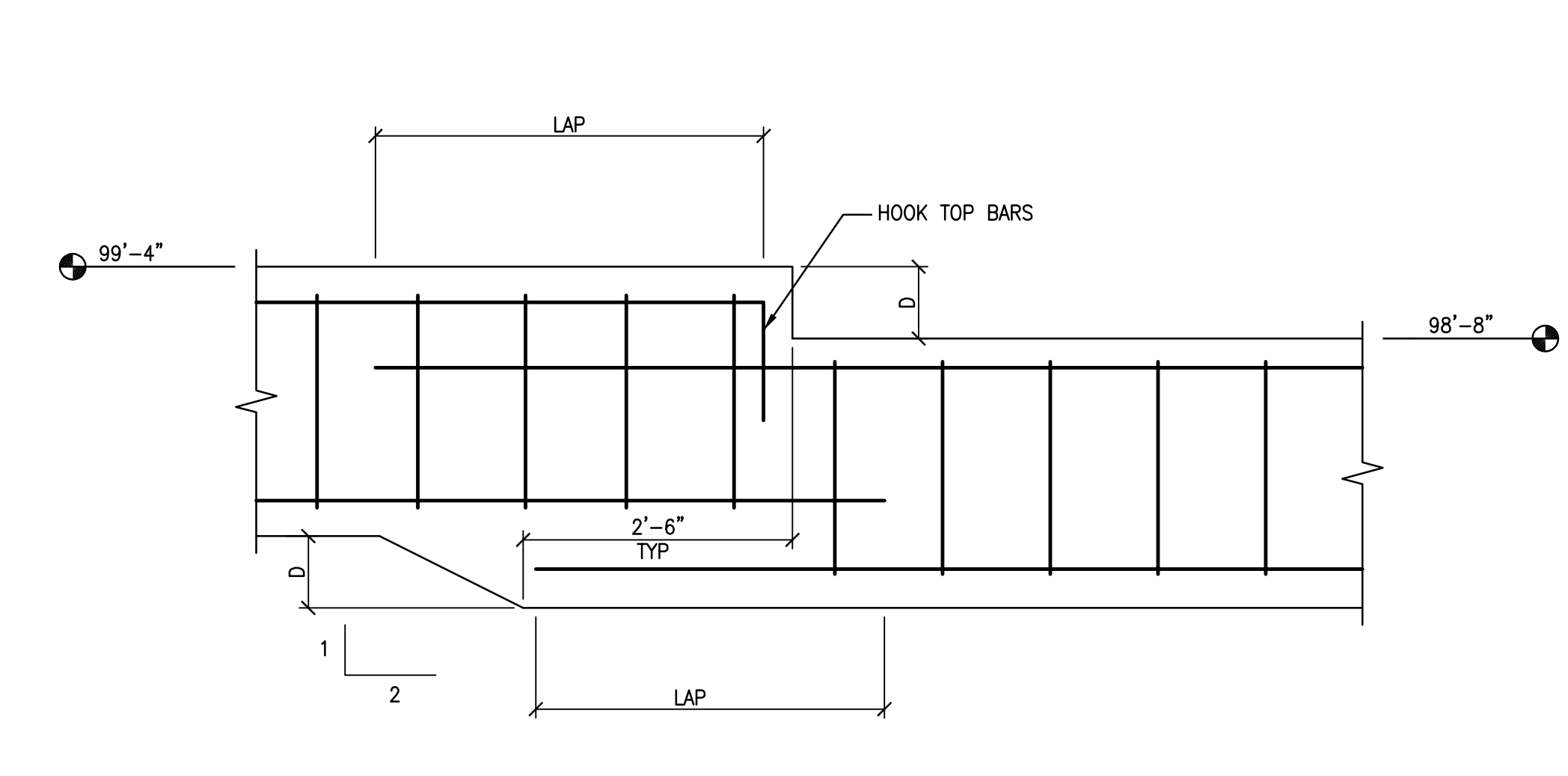
PIER 1
24"x24"

NOTES:
1) SEE TYPICAL COLUMN WITH PIER AND PILE CAP DETAIL ABOVE.
2) PIERS ARE CENTERED ON COLUMNS AND PILE CAPS.



PIER 2
20"x20"

NOTES:
1) SEE TYPICAL COLUMN WITH PIER AND PILE CAP DETAIL ABOVE.
2) PIERS ARE CENTERED ON COLUMNS AND PILE CAPS.



9 TYPICAL STEP AT GRADE BEAM DETAIL
SCALE: NTS

KEY PLAN

MARK DATE	DESCRIPTION
FP 11 SEP 2013	ADDENDUM #3
FP 29 AUG 2013	FOUNDATION PACKAGE
DD 12 JUL 2013	DD SUBMITTAL

PROJECT NO: 14578034
DRAWN BY: WH
CHECKED BY: ALK
COPYRIGHT © 2008
HANBURY EVANS WRIGHT VLATTAS + COMPANY

PRINTED: 9/11/2013 11:57 AM

FILE LOCATION: L:\PROJECTS\14578034\STRUDWG\S5-2.DWG